



180 Lafayette Road  
 North Hampton, NH 03862-2448  
 PH: 603-964-3165  
 FX: 603-964-3168  
 WWW.PDEELECTRONICS.COM

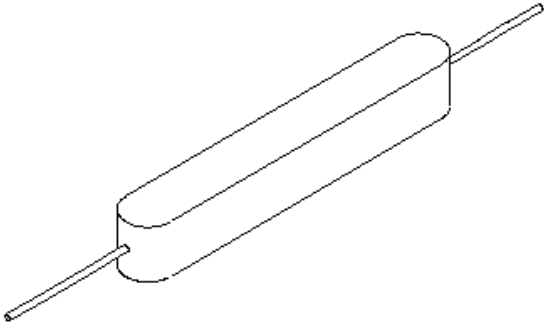
## Rectifier Assembly

### Standard Recovery High Voltage

### HVH Series

- QUICK REFERENCE DATA**
- $V_R = 5000 - 25000$  VOLTS
  - $I_F = 0.5$  AMPS
  - $I_R = 0.1 \mu$ AMPS
  - $I_{FSM} = 60$  AMPS

- FEATURES**
- High Voltage
  - High Density
  - Standard Recovery
  - Low Reverse Leakage Current
  - Low Forward Voltage Drop
  - High Thermal Shock Resistance
  - Corona Free Construction
  - Low Distributed Capacitance



**ABSOLUTE MAXIMUM RATINGS**

Device Type	Peak Inverse Voltage PIV Volts	Average Rectified Current $I_{F(AV)}$		1 Cycle Surge Current $I_{FSM}$ $t_p = 8.3mS$	Reverse Recovery Time*
		$T_A$ @55°C	$T_A$ @100°C	$T_A$ @25°C	$T_A$ @25°C
		Amps	Amps	Amps	$\mu$ Sec
HVH5000	5000	0.50	0.33	60	2.0
HVH7500	7500	0.50	0.33	60	2.0
HVH10000	10000	0.50	0.33	60	2.0
HVH12500	12500	0.50	0.33	60	2.0
HVH15000	15000	0.50	0.33	60	2.0
HVH20000	20000	0.50	0.33	60	2.0
HVH25000	25000	0.50	0.33	60	2.0

\*Measured in discrete devices prior to assembly.  $I_F = .5A$ ,  $I_R = 1A$ ,  $I_{RR} = .25A$

**TEMPERATURE RATINGS**

Operating Temperature Range.....	-55°C to +150°C
Storage Temperature Range .....	-55°C to +150°C



180 Lafayette Road  
 North Hampton, NH 03862-2448  
 PH: 603-964-3165  
 FX: 603-964-3168  
 WWW.PDEELECTRONICS.COM

## Rectifier Assembly

### Standard Recovery High Voltage

### HVH Series

### ELECTRICAL CHARACTERISTICS

Device Type	Maximum Reverse Leakage Current $I_R @ V_{RWM}$		Maximum Forward Voltages $V_F @ I_F$ @25°C	
	@25°C	@100°C	Volts	Amps
	µA	µA		
HVH5000	0.10	15.0	7.0	0.50
HVH7500	0.10	15.0	10.0	0.50
HVH10000	0.10	15.0	14.0	0.50
HVH12500	0.10	15.0	17.0	0.50
HVH15000	0.10	15.0	20.0	0.50
HVH20000	0.10	15.0	27.0	0.50
HVH25000	0.10	15.0	33.0	0.50

### MECHANICAL CHARACTERISTICS

